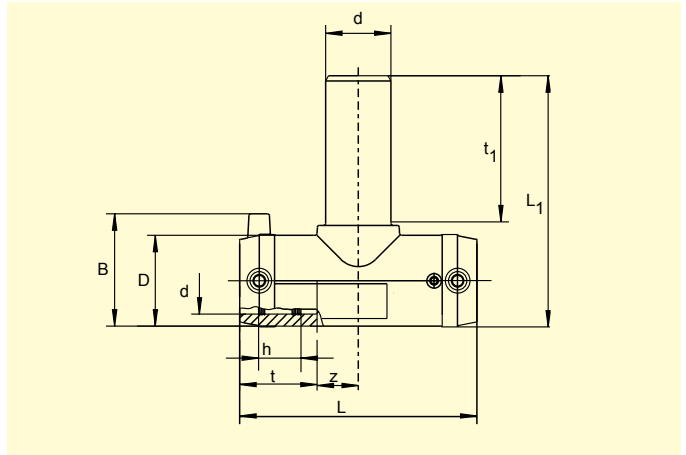


FRIALEN® T-Pieces TA (KIT) with extra long outlet spigot in kit version; coupler MB with removeable center stop included



PE 100 SDR 11

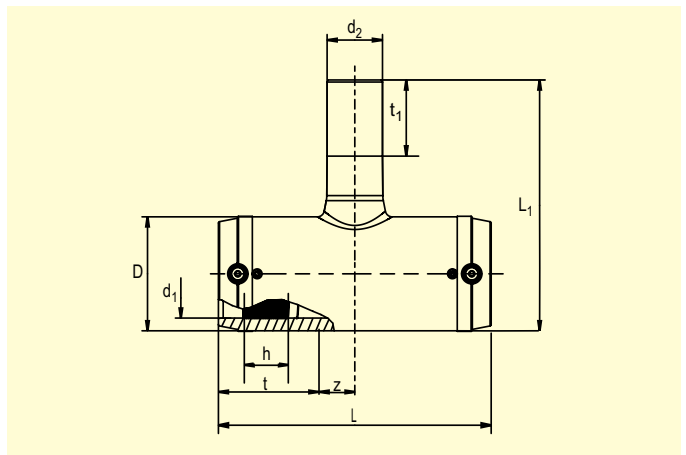
Maximum working pressure 16 bar (water)/10 bar (gas)



| d | Order Ref. | Stock-status | BX | PU | D | L | L ₁ | t | t ₁ | z | h | B | Weight kg/each |
|----|------------|--------------|----|-----|----|-----|----------------|----|----------------|----|------|------|----------------|
| 25 | 616335 | 1 | 40 | 720 | 36 | 108 | 110 | 41 | 66 | 13 | 19 | 54 | 0,124 |
| 32 | 612161 | 1 | 30 | 540 | 44 | 116 | 131 | 39 | 80 | 19 | 22 | 61 | 0,190 |
| 40 | 612162 | 1 | 20 | 360 | 53 | 146 | 151 | 43 | 88 | 30 | 25 | 69,5 | 0,290 |
| 50 | 612163 | 1 | 10 | 180 | 67 | 175 | 186 | 49 | 110 | 38 | 28,5 | 80 | 0,500 |
| 63 | 612164 | 1 | 5 | 90 | 81 | 197 | 203 | 56 | 115 | 42 | 33 | 93,5 | 0,750 |

FRIALEN safety fittings can be fused to pipes SDR11 - SDR 17.6, minimum wall thickness $s_{min} \geq 3$ mm. Other SDR-stages on request. Please observe the marking directly at the product, which is mandatory. DVGW-Registration No.: DV-8601AU2248

FRIALEN® T-Pieces reduced TA red with extra long outlet spigot



PE 100 SDR 11

Maximum working pressure 16 bar (water)/10 bar (gas)



| | d ₁ /d ₂ | Order Ref. | Stock-status | BX | PU | D | L | L ₁ | t | t ₁ | z | h | B | Weight kg/each |
|-------------|--------------------------------|------------|--------------|----|-----|------|-----|----------------|------|----------------|------|------|------|----------------|
| NEW! | 32/20 | 616417 | 1 | 30 | 540 | 45,5 | 116 | 117 | 44 | 42 | 14 | 21,5 | 61,5 | 0,110 |
| NEW! | 40/32 | 616418 | 1 | 20 | 360 | 54,5 | 146 | 148 | 45,5 | 51 | 27,5 | 24,5 | 70 | 0,170 |
| NEW! | 50/32 | 616419 | 1 | 10 | 180 | 68,5 | 175 | 158 | 55 | 51 | 32,5 | 27,8 | 82 | 0,295 |
| NEW! | 50/40 | 616420 | 1 | 10 | 180 | 68,5 | 175 | 167 | 55 | 55 | 32,5 | 27,8 | 82 | 0,315 |
| NEW! | 63/32 | 616421 | 1 | 10 | 180 | 83,5 | 197 | 173 | 63 | 51 | 35,5 | 32 | 96 | 0,435 |
| NEW! | 63/40 | 616422 | 1 | 10 | 180 | 83,5 | 197 | 182 | 63 | 55 | 35,5 | 32 | 96 | 0,450 |
| NEW! | 63/50 | 616423 | 1 | 10 | 180 | 83,5 | 197 | 197 | 63 | 60 | 35,5 | 32 | 96 | 0,490 |

FRIALEN safety fittings can be fused to pipes SDR11 - SDR 17.6, minimum wall thickness $s_{min} \geq 3$ mm. Other SDR-stages on request. Please observe the marking directly at the product, which is mandatory. DVGW-Registration No.: DV-8601AU2248

Please turn over for important information regarding application of our products.



FRIALEN® T-Pieces TA (KIT) with extra long outlet spigot in kit version; coupler MB with removeable center stop included and FRIALEN® T-Pieces reduced TA red with extra long outlet spigot

Areas of Application

The FRIALEN-T pieces TA (KIT) and FRIALEN-T pieces TA red are used for pipe outlets of HDPE pipelines.

Assembly Instructions

The fusion of the pipe ends with the FRIALEN-TA or with the FRIALEN-TA red, takes place by FRIALEN-fusing – leakproof and longitudinally strong.

The pipe ends are prepared (removing the oxide skin/cleaning) according to the general installation instructions (see “Assembly Instructions” for “FRIALEN-Safety Fittings for house connections and distribution pipes up to d 225”).

Eleven good reasons for using the FRIALEN-TA (KIT) and FRIALEN-TA red:

- Large coupler depth for ease of pipe guiding (no holding clamps required)
- Length of outlet spigot dimensioned for two fusion operations
- Extra wide fusion zones
- Maximum stability through great wall thickness
- Cold zones at the front side and in the middle of the coupler
- Exposed heating coil for direct heat transmission to the pipe
- Small annular gap for build-up of optimum joining pressure in the fusion zone
- Touch proof electric contacts
- Durable batch marking
- Individually wrapped for dirt protection
- Additional barcode for tracing back the fitting (Traceability-Coding)

For further information, please call our customer service staff and specialist advisers.

Please find our datasheets for downloading on the internet at www.frialen.com

FRIATEC Aktiengesellschaft · Technical Plastics Division
P.O.B. 71 02 61 · D-68222 Mannheim
Telephone +49 621 486-1431 · Telefax +49 621 479196
www.friatec.com · E-Mail: info-frialen@friatec.de

